



PASSIL (SEDE)

Estrada Nacional 4, Km 18
Passil
2890-020 Alcochete
Tel: [+351] 212 328 000
Fax: [+351] 212 328 029

PORTO

Rua de Recarei
Quinta do Ribeiro - Gondivai
4465-728 Leça do Balio
Tel: [+351] 229 579 430
Fax: [+351] 229 579 439

POMBAL

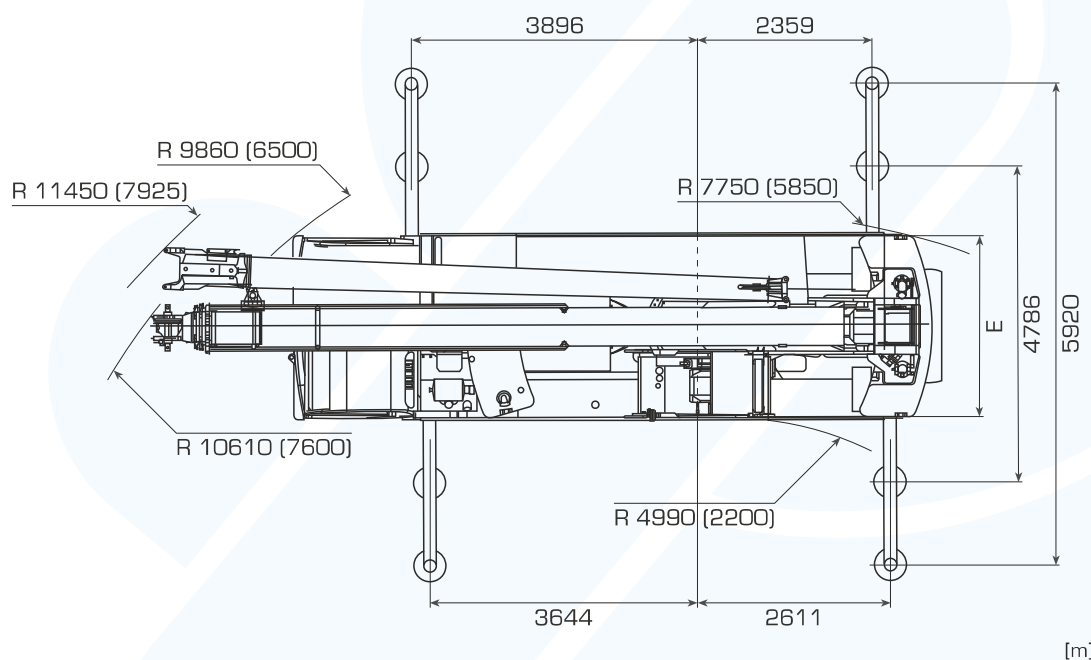
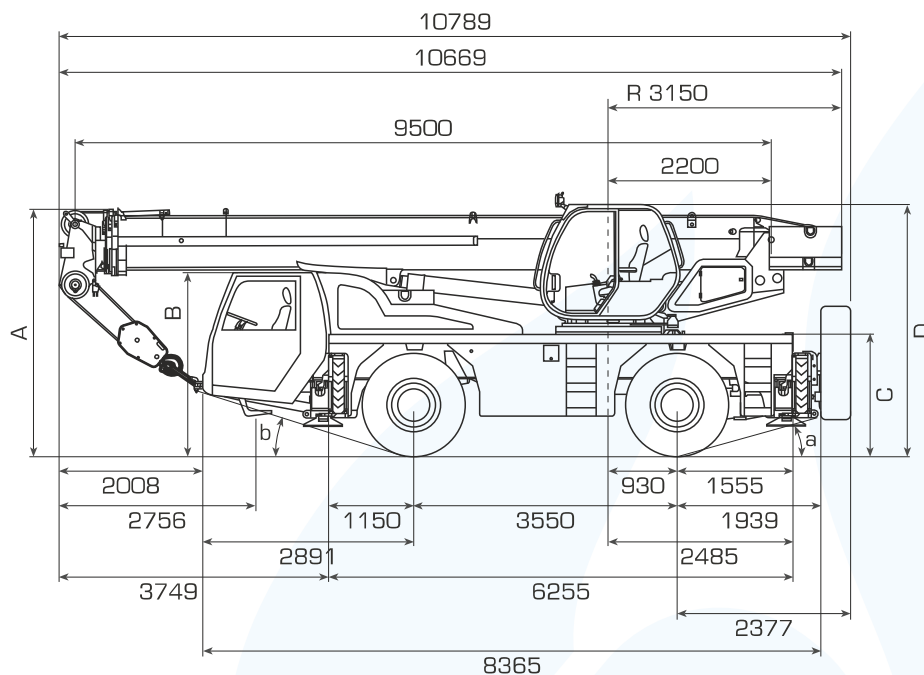
Estrada Nacional 1
Km 158,7 (Relvão)
3105-459 Redinha
Tel: [+351] 236 219 606
Fax: [+351] 236 219 425

SINES

ZIL 2, Lote 1016
7520-904 Sines
Tel: [+351] 269 633 064
Fax: [+351] 269 633 066

ALGARVE

Estrada Nacional 125, Km 84,25
Lugar Conseguinte
Vale Judeu
8125-019 Quarteira
Tel: [+351] 289 328 370
Fax: [+351] 289 328 892



[m]

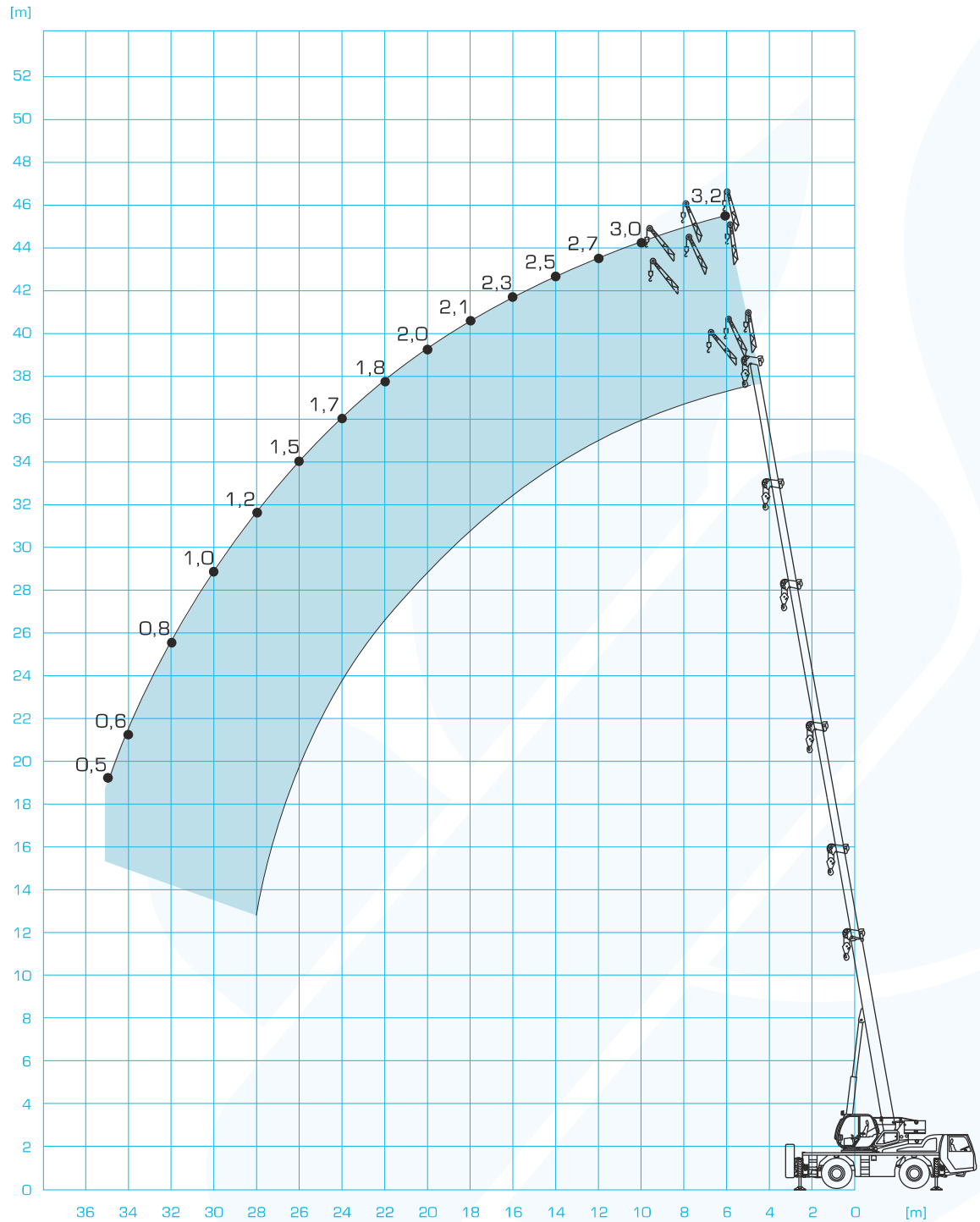
A* B* C* D* E a b



14.00 x 25	3270	2415	1580	3330	2550	16,3°	17°
16.00 x 25	3320	2465	1630	3380	2550	17,7°	18°
20.50 x 25	3320	2465	1630	3380	2850	17,7°	18°



DIAGRAMA DE CARGAS COM JIB





6,20x5,95m



360°

DIN/ISO  5,5 t

CAPACIDADE DE ELEVAÇÃO COM JIB

(m)	34,10			37,50		
	0°	20°	40°	0°	20°	40°
9,0	3,20					
10,0	3,00			2,80		
11,0	2,90	1,90		2,70		
12,0	2,70	1,80		2,70	1,80	
13,0	2,60	1,75	1,40	2,60	1,75	
14,0	2,45	1,70	1,35	2,50	1,70	1,35
15,0	2,35	1,65	1,35	2,35	1,65	1,35
16,0	2,25	1,60	1,30	2,25	1,60	1,30
17,0	2,15	1,55	1,30	2,15	1,60	1,30
18,0	2,10	1,55	1,25	2,05	1,55	1,25
19,0	2,00	1,50	1,25	1,95	1,50	1,25
20,0	1,95	1,45	1,25	1,85	1,50	1,25
21,0	1,85	1,45	1,25	1,80	1,45	1,25
22,0	1,80	1,40	1,20	1,75	1,40	1,20
23,0	1,75	1,40	1,20	1,65	1,40	1,20
24,0	1,70	1,35	1,20	1,60	1,40	1,20
25,0	1,60	1,35	1,20	1,50	1,35	1,20
26,0	1,45	1,30	1,20	1,45	1,30	1,20
27,0	1,30	1,30	1,20	1,30	1,30	1,20
28,0	1,15	1,25	1,20	1,20	1,25	1,20
29,0	1,05	1,15	1,20	1,05	1,20	1,15
30,0	0,95	1,05	1,10	0,95	1,05	1,15
31,0	0,85	0,95	0,95	0,85	0,95	1,00
32,0	0,75	0,85	0,85	0,75	0,85	0,90
33,0	0,65	0,75	0,75	0,70	0,75	0,80
34,0	0,60	0,65	0,65	0,60	0,70	0,70
35,0	0,50	0,55	0,55	0,55	0,60	0,60
36,0					0,55	0,55
37,0						